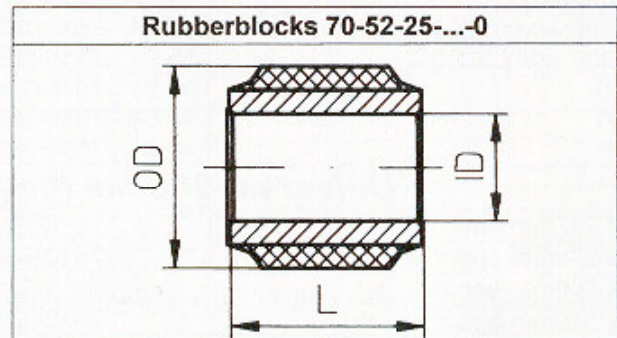
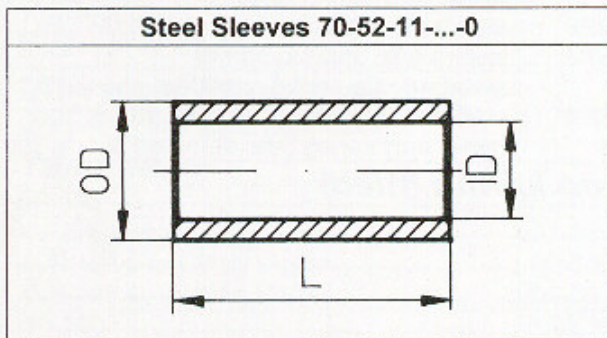


REPLACEMENT PARTS

Attachment Part Number	ID	OD	L
Ball Joints			
1425 04 00 12	12.7	22.0	11.0
Silentblocks			
1018 05 01 11	12.1	25.1	21.8
1018 05 01 19	15.1	28.3	23.0
1018 05 01 24	12.1	26.1	22.4
Steel Sleeves			
70 52 11 026 0	9.6	12.0	17.5
70 52 11 367 0	10.1	14.0	19.0
70 52 11 389 0	10.1	12.0	22.5
70 52 11 427 0	12.1	14.0	19.0
70 52 11 508 0	10.1	12.0	19.0
70 52 11 524 0	10.1	12.0	21.5
70 52 11 531 0	10.1	16.0	25.0
70 52 11 570 0	10.1	16.0	19.0
70 52 11 736 0	14.1	16.0	19.0

Attachment Part Number	ID	OD	L
Spacer (Harley Davidson)			
70 52 11 779 0 (chromed)	13.0	20.0	8.0
Rubberblocks			
70 52 25 001 0	16.1	26.0	26.0
70 52 25 003 0	12.1	26.0	23.5
70 52 25 007 0	12.1	26.0	22.0
70 52 25 022 0	12.1	26.0	20.0
70 52 25 034 0	12.1	30.1	30.0
70 52 25 047 0	12.1	26.0	18.0
70 52 25 079 0	13.0	26.0	32.0
70 52 25 108 0	14.1	26.0	20.0
70 52 25 110 0	16.1	26.0	20.0
70 52 25 131 0	14.1	26.0	22.0
70 52 25 180 0	12.8	26.0	23.5
70 52 25 303 0	10.1	28.0	29.9
70 52 25 309 0	12.1	30.1	35.0
70 52 25 314 0	10.1	30.1	28.4
70 52 21 295 0	10.1	26.1	24.0



7610- and 76-SERIES PARTS (parts for 7610-series only marked with *)			
top eye*	70 52 07 003 0	dust cover for adjuster, rubber*	15 23 24 017 1
locking collar for top eye*	70 40 02 086 0	dust cover for spring, steel, chromed	70 19 56 070 0
locking ring for top eye*	70 52 16 006 1	bump stop (black, 25mm long, firm)	15 34 38 000 0
piston rod seal	15 23 11 079 1	bump stop (yellow, 50mm long, soft)	71 34 26 000 0
locking ring for body	70 25 00 128 0	bump spacer 5mm	72 34 01 000 0
rod seal and body lockring assembled	70 25 20 128 1	bump spacer 8mm	70 34 87 000 0
O-ring for body	1601 72 12 13	bump spacer 15mm	70 34 74 000 0
O-ring for piston rod*	1601 70 00 05	bump spacer 24mm	70 34 73 000 0
retainer ring (for piston rod O-ring)*	70 40 02 085 0	bump plate (white)	15 34 60 000 1
top spring seat (heavy duty)	70 29 01 242 0	steel washer 15x28x3	1038 06 01 50
bottom spring seat	76 29 11 028 1	steel washer 16x28x3	1038 24 00 16

